

4

3

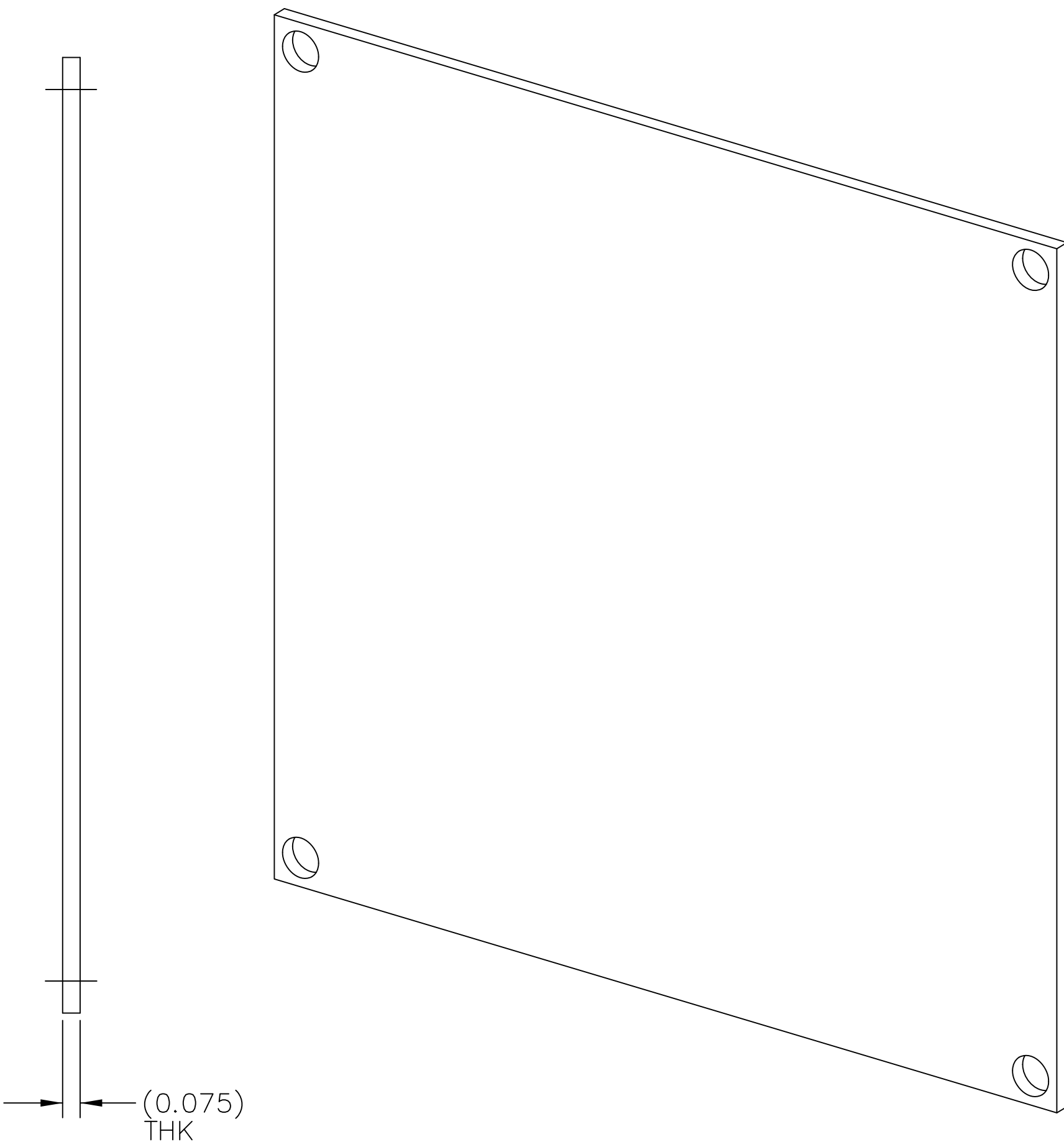
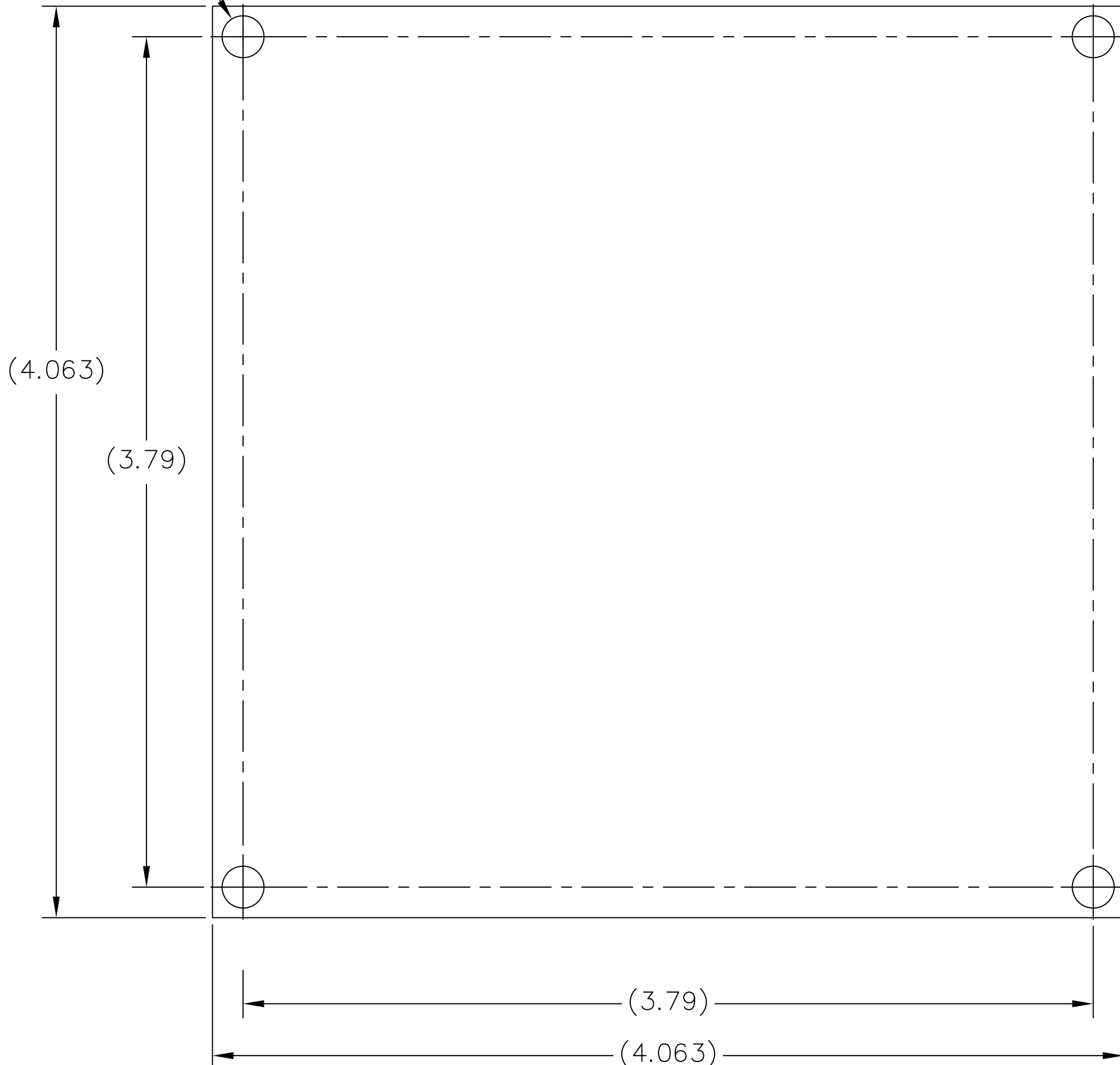
2

1

D

D

4X (∅0.187)  
THRU



C

C

B

B

A

A

NOTES:  
 1. MATERIAL: CARBON STEEL, 14GA (0.0747) THK  
 2. FINISH: POWDER COATED WHITE

				DEFAULT TOLERANCES DECIMAL .XX ±0.03 .XXX ±0.010 FRACTIONAL ± 1/16 ANGULAR ±5°				MUM INDUSTRIES 8989 TYLER BLVD MENTOR, OHIO, U.S.A. (440) 269-8155 (440) 269-8166 FAX		
				SCALE	2.000	SHEET	1 of 1	DRAWN BY T.STOKES		
				TITLE		PANEL-BACK-IMP-5X5-PS				
				DATE	07.08.19	DRAWING NUMBER	PNLB55PS-104		REV	A
REV	DESCRIPTION			BY	DATE	ECN NO.				
A	CONVERTED FROM PNL55S-104 REV A			TLS	07.08.19	2019-058				

4

3

2

1